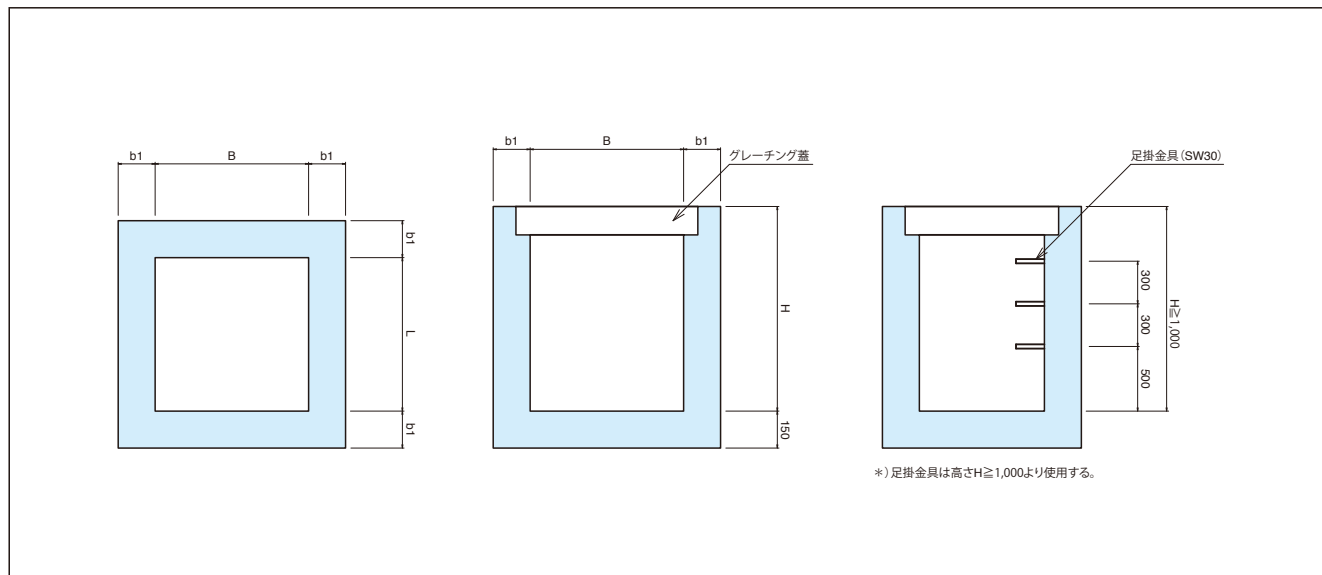


集水枒

[形状図]



[規格表]

呼び名	形状寸法 (mm)				参考質量 (kg)	足掛金具 本数
	B	L	H	b1		
B-500 L-500 H-500	500	500	500	150	684	-
B-500 L-500 H-600	500	500	600	150	776	-
B-500 L-500 H-700	500	500	700	150	867	-
B-500 L-500 H-800	500	500	800	150	959	-
B-500 L-500 H-900	500	500	900	150	1,050	-
B-500 L-500 H-1,000	500	500	1,000	150	1,142	-
B-600 L-600 H-600	600	600	600	150	920	-
B-600 L-600 H-700	600	600	700	150	1,026	-
B-600 L-600 H-800	600	600	800	150	1,132	-
B-600 L-600 H-900	600	600	900	150	1,237	-
B-600 L-600 H-1,000	600	600	1,000	150	1,343	2
B-600 L-600 H-1,100	600	600	1,100	200	2,007	2
B-600 L-600 H-1,200	600	600	1,200	200	2,157	2
B-700 L-700 H-700	700	700	700	150	1,191	-
B-700 L-700 H-800	700	700	800	150	1,311	-
B-700 L-700 H-900	700	700	900	150	1,431	-
B-700 L-700 H-1,000	700	700	1,000	150	1,551	2
B-700 L-700 H-1,100	700	700	1,100	200	2,288	2
B-700 L-700 H-1,200	700	700	1,200	200	2,457	2
B-700 L-700 H-1,300	700	700	1,300	200	2,626	3
B-700 L-700 H-1,400	700	700	1,400	200	2,975	3
B-700 L-700 H-1,500	700	700	1,500	200	2,965	3
B-700 L-700 H-1,600	700	700	1,600	200	3,134	4



[規格表]

呼び名			形状寸法 (mm)				参考質量 (kg)	足掛金具
			B	L	H	b1		本数
B-800	L-800	H-800	800	800	800	150	1,498	-
B-800	L-800	H-900	800	800	900	150	1,632	-
B-800	L-800	H-1,000	800	800	1,000	150	1,766	2
B-800	L-800	H-1,100	800	800	1,100	200	2,576	2
B-800	L-800	H-1,200	800	800	1,200	200	2,764	2
B-800	L-800	H-1,300	800	800	1,300	200	2,952	3
B-800	L-800	H-1,400	800	800	1,400	200	3,140	3
B-800	L-800	H-1,500	800	800	1,500	200	3,328	3
B-800	L-800	H-1,600	800	800	1,600	200	3,516	4
B-900	L-900	H-900	900	900	900	150	1,840	-
B-900	L-900	H-1,000	900	900	1,000	150	1,988	2
B-900	L-900	H-1,100	900	900	1,100	200	2,871	2
B-900	L-900	H-1,200	900	900	1,200	200	3,077	2
B-900	L-900	H-1,300	900	900	1,300	200	3,284	3
B-900	L-900	H-1,400	900	900	1,400	200	3,491	3
B-900	L-900	H-1,500	900	900	1,500	200	3,698	3
B-900	L-900	H-1,600	900	900	1,600	200	3,905	4
B-900	L-900	H-1,700	900	900	1,700	200	4,111	4
B-900	L-900	H-1,800	900	900	1,800	200	4,318	4
B-1,000	L-1,000	H-1,000	1,000	1,000	1,000	150	2,217	2
B-1,000	L-1,000	H-1,100	1,000	1,000	1,100	200	3,173	2
B-1,000	L-1,000	H-1,200	1,000	1,000	1,200	200	3,398	2
B-1,000	L-1,000	H-1,300	1,000	1,000	1,300	200	3,624	3
B-1,000	L-1,000	H-1,400	1,000	1,000	1,400	200	3,849	3
B-1,000	L-1,000	H-1,500	1,000	1,000	1,300	200	4,075	3
B-1,000	L-1,000	H-1,600	1,000	1,000	1,600	200	4,301	4
B-1,000	L-1,000	H-1,700	1,000	1,000	1,700	200	4,526	4
B-1,000	L-1,000	H-1,800	1,000	1,000	1,800	200	4,752	4
B-1,000	L-1,000	H-1,900	1,000	1,000	1,900	200	4,977	5
B-1,000	L-1,000	H-2,000	1,000	1,000	2,000	200	5,203	5
B-1,100	L-1,100	H-1,100	1,100	1,100	1,100	200	3,482	2
B-1,100	L-1,100	H-1,200	1,100	1,100	1,200	200	3,726	2
B-1,100	L-1,100	H-1,300	1,100	1,100	1,300	200	3,970	3
B-1,100	L-1,100	H-1,400	1,100	1,100	1,400	200	4,215	3
B-1,100	L-1,100	H-1,500	1,100	1,100	1,500	200	4,459	3
B-1,100	L-1,100	H-1,600	1,100	1,100	1,600	200	4,704	4
B-1,100	L-1,100	H-1,700	1,100	1,100	1,700	200	4,948	4
B-1,100	L-1,100	H-1,800	1,100	1,100	1,800	200	5,192	4
B-1,100	L-1,100	H-1,900	1,100	1,100	1,900	200	5,457	5
B-1,100	L-1,100	H-2,000	1,100	1,100	2,000	200	5,681	5
B-1,200	L-1,200	H-1,200	1,200	1,200	1,200	200	4,061	2
B-1,200	L-1,200	H-1,300	1,200	1,200	1,300	200	4,324	3
B-1,200	L-1,200	H-1,400	1,200	1,200	1,400	200	4,587	3
B-1,200	L-1,200	H-1,500	1,200	1,200	1,500	200	4,850	3
B-1,200	L-1,200	H-1,600	1,200	1,200	1,600	200	5,114	4
B-1,200	L-1,200	H-1,700	1,200	1,200	1,700	200	5,377	4
B-1,200	L-1,200	H-1,800	1,200	1,200	1,800	200	5,640	4
B-1,200	L-1,200	H-1,900	1,200	1,200	1,900	200	5,903	5
B-1,200	L-1,200	H-2,000	1,200	1,200	2,000	200	6,166	5