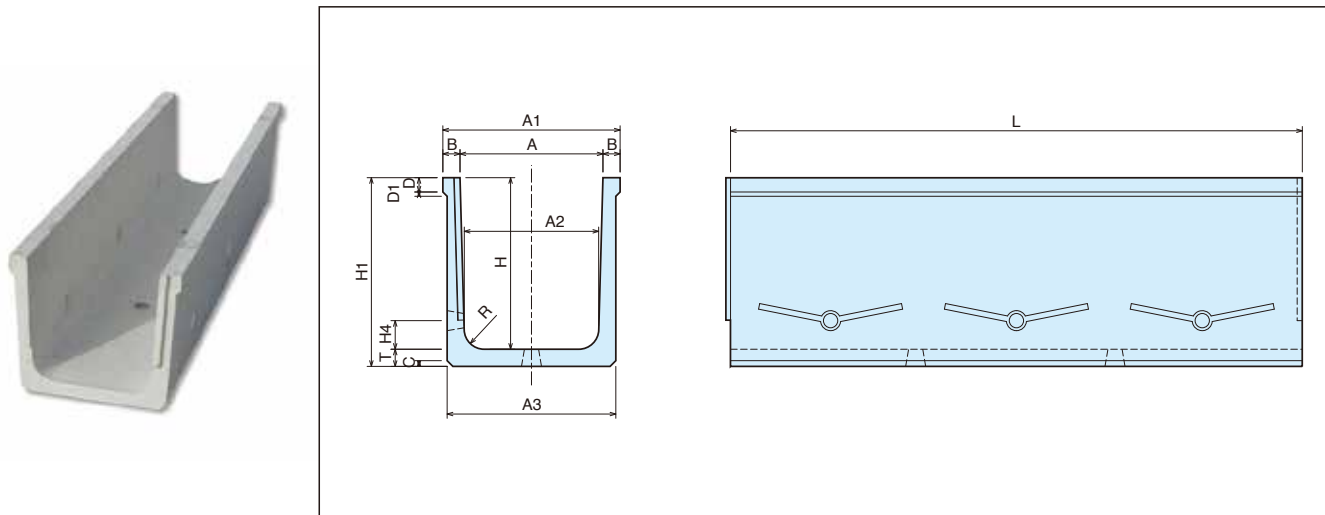


排水フリューム

主に農業用排水における幹・支線排水路などに使用します。

[形状図(H400.500.600.700タイプ)]



[規格表(H300.400.500.700タイプ)]

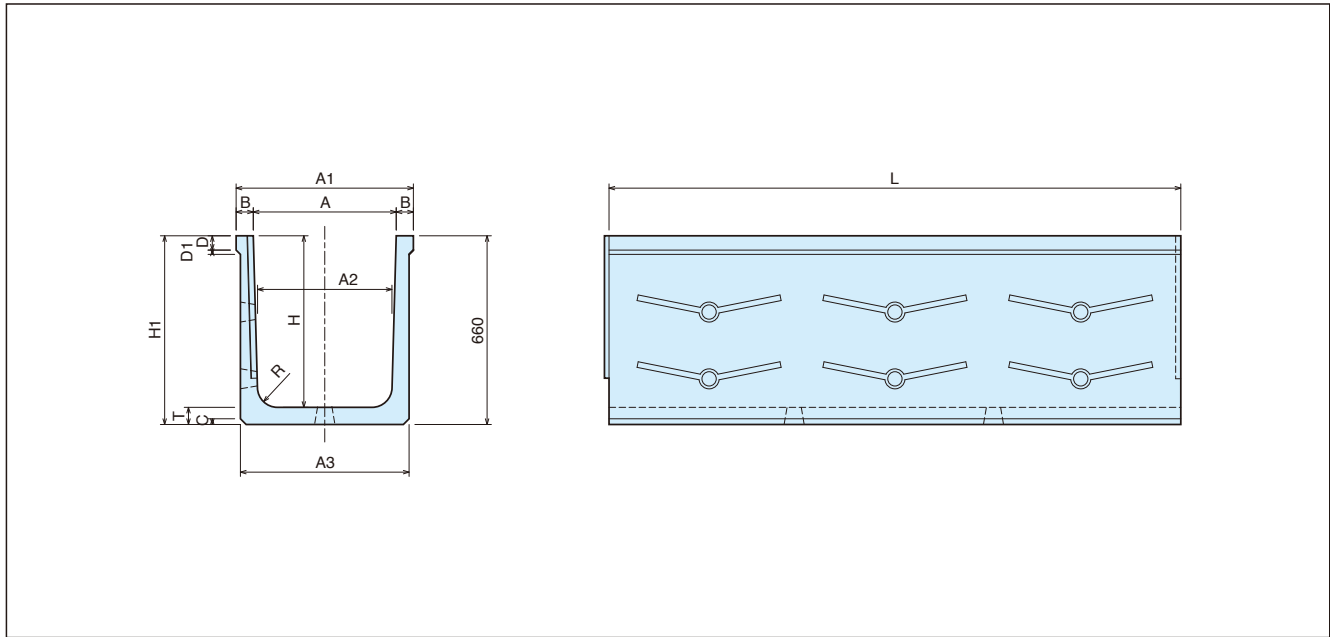
呼び名	形状寸法 (mm)														参考質量 (Kg)
	A	A1	A2	A3	B	C	D	D1	H	H1	H4	T	R	L	
300×300	300	440	280	380	70	-	50	-	300	350	100	50	-	2,000	242
400×400	400	520	370	460	60	20	50	15	400	445	100	45	70	2,000	284
500×400	400	520	370	470	60	20	50	15	500	550	100	50	70	2,000	338
500×500	500	620	470	570	60	20	50	15	500	550	100	50	70	2,000	388
700×700	700	840	660	800	70	20	60	20	700	770	100	70	70	2,000	679

[規格表(H600タイプ)]

呼び名	形状寸法 (mm)														参考質量 (Kg)
	A	A1	A2	A3	B	C	D	D1	H	H1	H4	T	R	L	
600×500	500	620	470	590	60	20	50	15	600	660	100	60	70	2,000	480
600×600	600	720	570	690	60	20	50	15	600	660	100	60	70	2,000	510
600×700	700	820	670	790	60	20	50	15	600	660	100	60	70	2,000	534
600×800	800	920	770	890	60	20	50	15	600	660	100	60	70	2,000	564
600×900	900	1,020	870	990	60	20	50	15	600	660	100	60	70	2,000	594
600×1,000	1,000	1,120	970	1,090	60	20	50	15	600	660	100	60	70	2,000	624
600×1,100	1,100	1,220	1,070	1,190	60	20	50	15	600	660	100	60	70	2,000	653
600×1,200	1,200	1,320	1,170	1,290	60	20	50	15	600	660	100	60	70	2,000	682
600×1,300	1,300	1,420	1,270	1,390	60	20	50	15	600	660	100	60	70	2,000	710
600×1,400	1,400	1,520	1,370	1,490	60	20	50	15	600	660	100	60	70	2,000	739
600×1,500	1,500	1,620	1,470	1,590	60	20	50	15	600	660	100	60	70	2,000	768



[形状図(H900タイプ)]

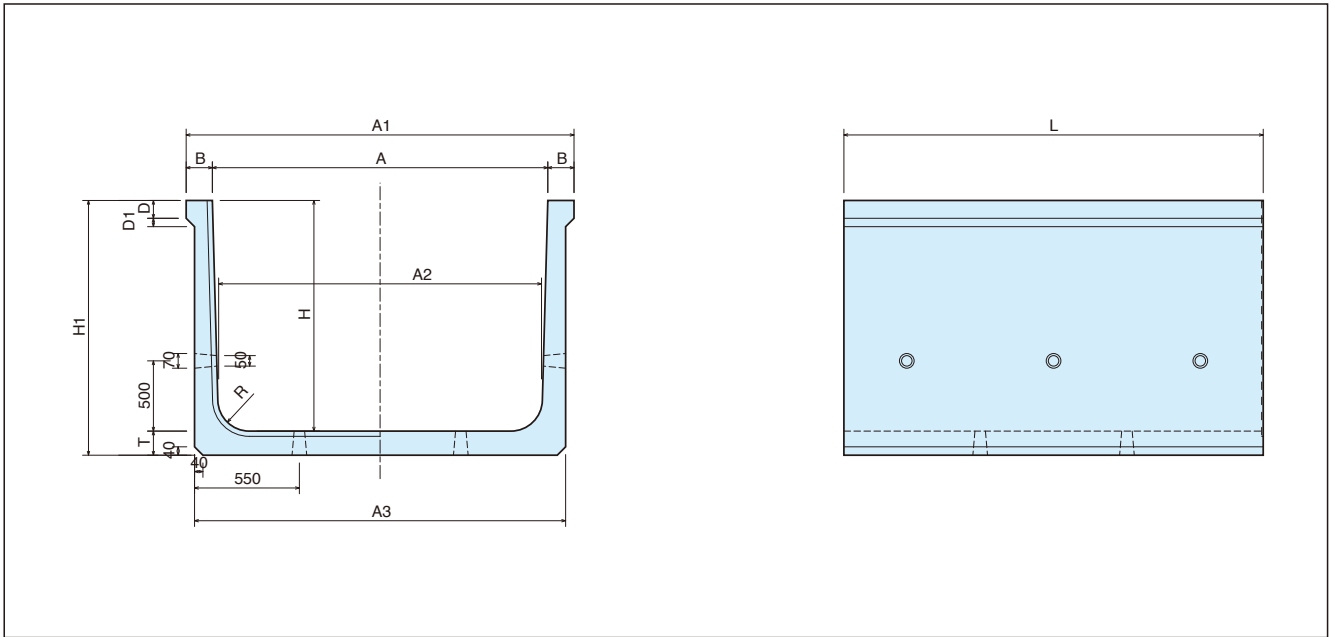


[規格表(H900タイプ)]

呼び名	形状寸法 (mm)													参考質量 (Kg)
	A	A1	A2	A3	B	C	D	D1	H	H1	T	R	L	
900×500	500	660	450	610	80	20	70	25	900	980	80	125	2,000	854
900×600	600	760	550	710	80	20	70	25	900	980	80	125	2,000	894
900×700	700	860	650	810	80	20	70	25	900	980	80	125	2,000	932
900×800	800	960	750	910	80	20	70	25	900	980	80	125	2,000	970
900×900	900	1,060	850	1,010	80	20	70	25	900	980	80	125	2,000	1,007
900×1,000	1,000	1,160	950	1,110	80	20	70	25	900	980	80	125	2,000	1,050
900×1,100	1,100	1,300	1,050	1,240	100	20	70	30	900	995	95	160	2,000	1,319
900×1,200	1,200	1,400	1,150	1,340	100	20	70	30	900	995	95	160	2,000	1,364
900×1,300	1,300	1,500	1,250	1,440	100	20	70	30	900	995	95	160	2,000	1,409
900×1,400	1,400	1,600	1,350	1,540	100	20	70	30	900	995	95	160	2,000	1,454
900×1,500	1,500	1,700	1,450	1,640	100	20	70	30	900	995	95	160	2,000	1,498
900×1,600	1,600	1,800	1,550	1,740	100	20	70	30	900	995	95	160	2,000	1,544
900×1,700	1,700	1,900	1,650	1,840	100	20	70	30	900	995	95	160	2,000	1,590
900×1,800	1,800	2,000	1,750	1,940	100	20	70	30	900	995	95	160	2,000	1,635
900×1,900	1,900	2,100	1,850	2,040	100	20	70	30	900	995	95	160	2,000	1,680
900×2,000	2,000	2,200	1,950	2,140	100	20	70	30	900	995	95	160	2,000	1,726



[形状図(H1200タイプ)]



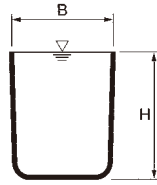
[規格表(H1200タイプ)]

呼び名	形状寸法(mm)												参考質量 (Kg)
	A	A1	A2	A3	B	D	D1	H	H1	R	T	L	
1,200×1,000	1,000	1,300	940	1,190	150	95	55	1,200	1,325	150	125	2,000	2,082
1,200×1,100	1,100	1,400	1,040	1,290	150	95	55	1,200	1,325	150	125	2,000	2,142
1,200×1,200	1,200	1,500	1,140	1,390	150	95	55	1,200	1,325	150	125	2,000	2,196
1,200×1,300	1,300	1,600	1,240	1,490	150	95	55	1,200	1,325	150	125	2,000	2,256
1,200×1,400	1,400	1,700	1,340	1,590	150	95	55	1,200	1,325	150	125	2,000	2,316
1,200×1,500	1,500	1,800	1,440	1,690	150	95	55	1,200	1,325	150	125	2,000	2,376
1,200×1,600	1,600	1,900	1,540	1,790	150	95	55	1,200	1,325	150	125	2,000	2,436
1,200×1,700	1,700	2,000	1,640	1,890	150	95	55	1,200	1,325	150	125	2,000	2,496
1,200×1,800	1,800	2,100	1,740	1,990	150	95	55	1,200	1,325	150	125	2,000	2,556
1,200×1,900	1,900	2,200	1,840	2,090	150	95	55	1,200	1,325	150	125	2,000	2,616
1,200×2,000	2,000	2,300	1,940	2,190	150	95	55	1,200	1,325	150	125	2,000	2,676

※その他寸法はお問い合わせください。



[通水断面図]



[流量表(H400.500.700タイプ)]

マンニング公式: $V = \frac{1}{n} \cdot R^{\frac{2}{3}} \cdot I^{\frac{1}{2}}$ (m/s)、 $Q = A \cdot V$ (m³/s) n (粗度係数) = 0.014

呼び名 H×B	400×400		500×400		500×500		700×700	
流水断面積 (m ²)	0.1521		0.1905		0.2405		0.4740	
潤辺P (m)	1.1155		1.3144		1.4144		2.0044	
径深R (m)	0.1363		0.1450		0.1701		0.2365	
$R^{2/3}$	0.2649		0.2759		0.3070		0.3824	
勾配 \ V・Q	V	Q	V	Q	V	Q	V	Q
1/100	1.8920	0.2877	1.9711	0.3756	2.1925	0.5274	2.7317	1.2949
1/200	1.3378	0.2035	1.3938	0.2656	1.5503	0.3729	1.9316	0.9156
1/300	1.0923	0.1661	1.1380	0.2168	1.2658	0.3045	1.5771	0.7476
1/400	0.9460	0.1439	0.9855	0.1878	1.0963	0.2637	1.3658	0.6474
1/500	0.8461	0.1287	0.8815	0.1680	0.9805	0.2359	1.2216	0.5791
1/600	0.7724	0.1175	0.8047	0.1533	0.8951	0.2153	1.1152	0.5286
1/700	0.7151	0.1087	0.7450	0.1420	0.8287	0.1993	1.0325	0.4894
1/800	0.6689	0.1017	0.6969	0.1328	0.7752	0.1865	0.9658	0.4578
1/900	0.6307	0.0959	0.6570	0.1252	0.7308	0.1758	0.9106	0.4316
1/1,000	0.5983	0.0910	0.6233	0.1188	0.6933	0.1668	0.8638	0.4095



[流量表(H600タイプ)]

マンニング公式: $V = \frac{1}{n} \cdot R^{\frac{2}{3}} \cdot i^{\frac{1}{2}}$ (m/s)、 $Q = A \cdot V$ (m³/s) n (粗度係数) = 0.014

呼び名 H×B	600×500		600×600		600×700		600×800		600×900		600×1,000	
流水断面積 (m ²)	0.2890		0.3490		0.4090		0.4690		0.5290		0.5890	
潤辺P (m)	1.6137		1.7137		1.8137		1.9137		2.0137		2.1137	
径深R (m)	0.1791		0.2037		0.2255		0.2451		0.2627		0.2787	
R ^{2/3}	0.3177		0.3462		0.3705		0.3916		0.4102		0.4266	
勾配 \ V・Q	V	Q	V	Q	V	Q	V	Q	V	Q	V	Q
1/100	2.2695	0.6559	2.4726	0.8630	2.6464	1.0824	2.7974	1.3120	2.9299	1.5500	3.0474	1.7950
1/200	1.6048	0.4638	1.7484	0.6102	1.8713	0.7654	1.9780	0.9277	2.0718	1.0960	2.1548	1.2692
1/300	1.3103	0.3787	1.4275	0.4982	1.5279	0.6249	1.6151	0.7575	1.6916	0.8949	1.7594	1.0363
1/400	1.1348	0.3280	1.2363	0.4315	1.3232	0.5412	1.3987	0.6560	1.4650	0.7750	1.5237	0.8975
1/500	1.0150	0.2933	1.1058	0.3859	1.1835	0.4841	1.2510	0.5867	1.3103	0.6932	1.3628	0.8027
1/600	0.9265	0.2678	1.0094	0.3523	1.0804	0.4419	1.1420	0.5356	1.1961	0.6328	1.2441	0.7328
1/700	0.8578	0.2479	0.9345	0.3262	1.0002	0.4091	1.0573	0.4959	1.1074	0.5858	1.1518	0.6784
1/800	0.8024	0.2319	0.8742	0.3051	0.9356	0.3827	0.9890	0.4639	1.0359	0.5480	1.0774	0.6346
1/900	0.7565	0.2186	0.8242	0.2877	0.8821	0.3608	0.9325	0.4373	0.9766	0.5167	1.0158	0.5983
1/1,000	0.7177	0.2074	0.7819	0.2729	0.8369	0.3423	0.8846	0.4149	0.9265	0.4901	0.9637	0.5676

呼び名 H×B	600×1,100		600×1,200		600×1,300		600×1,400		600×1,500	
流水断面積 (m ²)	0.6490		0.7090		0.7690		0.8290		0.8890	
潤辺P (m)	2.2137		2.3137		2.4137		2.5137		2.6137	
径深R (m)	0.2932		0.3064		0.3186		0.3298		0.3401	
R ^{2/3}	0.4413		0.4545		0.4665		0.4773		0.4873	
勾配 \ V・Q	V	Q	V	Q	V	Q	V	Q	V	Q
1/100	3.1523	2.0459	3.2467	2.3019	3.3320	2.5624	3.4096	2.8266	3.4805	3.0942
1/200	2.2290	1.4467	2.2957	1.6277	2.3561	1.8119	2.4110	1.9987	2.4611	2.1879
1/300	1.8200	1.1812	1.8745	1.3290	1.9237	1.4794	1.9685	1.6320	2.0095	1.7864
1/400	1.5762	1.0230	1.6233	1.1510	1.6660	1.2812	1.7048	1.4133	1.7402	1.5471
1/500	1.4098	0.9150	1.4520	1.0295	1.4901	1.1459	1.5248	1.2641	1.5565	1.3838
1/600	1.2869	0.8352	1.3254	0.9398	1.3603	1.0461	1.3920	1.1540	1.4209	1.2632
1/700	1.1915	0.7733	1.2271	0.8701	1.2594	0.9685	1.2887	1.0684	1.3155	1.1695
1/800	1.1145	0.7233	1.1479	0.8139	1.1780	0.9059	1.2055	0.9994	1.2305	1.0940
1/900	1.0508	0.6820	1.0822	0.7673	1.1107	0.8541	1.1365	0.9422	1.1602	1.0314
1/1,000	0.9969	0.6470	1.0267	0.7279	1.0537	0.8103	1.0782	0.8939	1.1006	0.9785



[流量表(H900タイプ)]

マンニング公式: $V = \frac{1}{n} \cdot R^{\frac{2}{3}} \cdot I^{\frac{1}{2}}$ (m/s)、 $Q = A \cdot V$ (m³/s) n (粗度係数) = 0.014

呼び名 H×B	900×500		900×600		900×700		900×800		900×900		900×1,000	
流水断面積 (m ²)	0.4212		0.5112		0.6012		0.6912		0.7812		0.8712	
潤辺P (m)	2.1501		2.2501		2.3501		2.4501		2.5501		2.6501	
径深R (m)	0.1959		0.2272		0.2558		0.2821		0.3063		0.3287	
R ^{2/3}	0.3373		0.3723		0.4030		0.4301		0.4544		0.4763	
勾配 V・Q	V	Q	V	Q	V	Q	V	Q	V	Q	V	Q
1/100	2.4093	1.0148	2.6595	1.3596	2.8785	1.7306	3.0725	2.1237	3.2460	2.5358	3.4023	2.9642
1/200	1.7037	0.7176	1.8806	0.9614	2.0354	1.2237	2.1726	1.5017	2.2952	1.7931	2.4058	2.0960
1/300	1.3910	0.5859	1.5355	0.7850	1.6619	0.9992	1.7739	1.2261	1.8741	1.4640	1.9643	1.7114
1/400	1.2047	0.5074	1.3298	0.6798	1.4392	0.8653	1.5362	1.0619	1.6230	1.2679	1.7012	1.4821
1/500	1.0775	0.4539	1.1894	0.6080	1.2873	0.7739	1.3740	0.9498	1.4516	1.1340	1.5216	1.3256
1/600	0.9836	0.4143	1.0857	0.5550	1.1751	0.7065	1.2543	0.8670	1.3252	1.0352	1.3890	1.2101
1/700	0.9106	0.3836	1.0052	0.5139	1.0880	0.6541	1.1613	0.8027	1.2269	0.9584	1.2860	1.1203
1/800	0.8518	0.3588	0.9403	0.4807	1.0177	0.6119	1.0863	0.7509	1.1476	0.8965	1.2029	1.0480
1/900	0.8031	0.3383	0.8865	0.4532	0.9595	0.5769	1.0242	0.7079	1.0820	0.8453	1.1341	0.9881
1/1,000	0.7619	0.3209	0.8410	0.4299	0.9103	0.5473	0.9716	0.6716	1.0265	0.8019	1.0759	0.9373

呼び名 H×B	900×1,100		900×1,200		900×1,300		900×1,400		900×1,500		900×1,600	
流水断面積 (m ²)	0.9612		1.0512		1.1412		1.2312		1.3212		1.4112	
潤辺P (m)	2.7501		2.8501		2.9501		3.0501		3.1501		3.2501	
径深R (m)	0.3495		0.3688		0.3868		0.4037		0.4194		0.4342	
R ^{2/3}	0.4962		0.5143		0.5309		0.5462		0.5603		0.5734	
勾配 V・Q	V	Q	V	Q	V	Q	V	Q	V	Q	V	Q
1/100	3.5442	3.4067	3.6736	3.8617	3.7922	4.3277	3.9013	4.8034	4.0022	5.2878	4.0957	5.7800
1/200	2.5061	2.4089	2.5976	2.7306	2.6815	3.0601	2.7587	3.3965	2.8300	3.7390	2.8961	4.0871
1/300	2.0462	1.9669	2.1209	2.2296	2.1894	2.4986	2.2524	2.7732	2.3107	3.0529	2.3647	3.3371
1/400	1.7721	1.7034	1.8368	1.9309	1.8961	2.1638	1.9507	2.4017	2.0011	2.6439	2.0479	2.8900
1/500	1.5850	1.5235	1.6429	1.7270	1.6959	1.9354	1.7447	2.1481	1.7898	2.3468	1.8317	2.5849
1/600	1.4469	1.3908	1.4997	1.5765	1.5481	1.7668	1.5927	1.9610	1.6339	2.1587	1.6721	2.3597
1/700	1.3396	1.2876	1.3885	1.4596	1.4333	1.6357	1.4746	1.8155	1.5127	1.9986	1.5480	2.1846
1/800	1.2531	1.2045	1.2988	1.3653	1.3407	1.5301	1.3793	1.6983	1.4150	1.8695	1.4481	2.0435
1/900	1.1814	1.1356	1.2245	1.2872	1.2641	1.4426	1.3004	1.6011	1.3341	1.7626	1.3652	1.9267
1/1,000	1.1208	1.0773	1.1617	1.2212	1.1992	1.3685	1.2337	1.5190	1.2656	1.6721	1.2952	1.8278



呼び名 H×B	900×1,700		900×1,800		900×1,900		900×2,000	
流水断面積 (m ²)	1.5012		1.5912		1.6812		1.7712	
潤辺P (m)	3.3501		3.4501		3.5501		3.6501	
径深R (m)	0.4481		0.4612		0.4736		0.4852	
R ^{2/3}	0.5856		0.5969		0.6076		0.6175	
勾配 \ V・Q	V	Q	V	Q	V	Q	V	Q
1/100	4.1827	6.2792	4.2638	6.7847	4.3397	7.2959	4.4108	7.8124
1/200	2.9576	4.4400	3.0150	4.7975	3.0686	5.1590	3.1189	5.5242
1/300	2.4149	3.6253	2.4617	3.9171	2.5055	4.2123	2.5465	4.5105
1/400	2.0914	3.1396	2.1319	3.3923	2.1698	3.6480	2.2054	3.9062
1/500	1.8706	2.8081	1.9068	3.0342	1.9408	3.2628	1.9725	3.4938
1/600	1.7076	2.5635	1.7407	2.7698	1.7717	2.9785	1.8007	3.1894
1/700	1.5809	2.3733	1.6116	2.5644	1.6402	2.7576	1.6671	2.9528
1/800	1.4788	2.2200	1.5075	2.3987	1.5343	2.5795	1.5594	2.7621
1/900	1.3942	2.0931	1.4213	2.2616	1.4466	2.4320	1.4703	2.6041
1/1,000	1.3227	1.9856	1.3483	2.1455	1.3723	2.3072	1.3948	2.4705

[流量表(H1200タイプ)]

マンニング公式: $V = \frac{1}{n} \cdot R^{2/3} \cdot I^{1/2}$ (m/s)、 $Q = A \cdot V$ (m³/s) n (粗度係数) = 0.014

呼び名 H×B	1,200×1,000		1,200×1,100		1,200×1,200		1,200×1,300		1,200×1,400		1,200×1,500	
流水断面積 (m ²)	1.1549		1.2749		1.3949		1.5149		1.6349		1.7549	
潤辺P (m)	3.2193		3.3193		3.4193		3.5193		3.6193		3.7193	
径深R (m)	0.3587		0.3841		0.4079		0.4305		0.4517		0.4718	
R ^{2/3}	0.5049		0.5284		0.5500		0.5701		0.5887		0.6061	
勾配 \ V・Q	V	Q	V	Q	V	Q	V	Q	V	Q	V	Q
1/100	3.6063	4.1649	3.7742	4.8117	3.9289	5.4804	4.0721	6.1688	4.2051	6.8750	4.3291	7.5971
1/200	2.5500	2.9450	2.6687	3.4024	2.7782	3.8752	2.8794	4.3620	2.9735	4.8613	3.0611	5.3720
1/300	2.0821	2.4046	2.1790	2.7780	2.2684	3.1641	2.3510	3.5616	2.4278	3.9693	2.4994	4.3862
1/400	1.8031	2.0824	1.8871	2.4058	1.9645	2.7402	2.0361	3.0844	2.1026	3.4375	2.1646	3.7986
1/500	1.6128	1.8626	1.6879	2.1518	1.7571	2.4509	1.8211	2.7588	1.8806	3.0746	1.9360	3.3975
1/600	1.4723	1.7003	1.5408	1.9644	1.6040	2.2374	1.6624	2.5184	1.7167	2.8067	1.7673	3.1015
1/700	1.3630	1.5742	1.4265	1.8186	1.4850	2.0714	1.5391	2.3316	1.5894	2.5985	1.6362	2.8714
1/800	1.2750	1.4725	1.3344	1.7012	1.3891	1.9376	1.4397	2.1810	1.4867	2.4307	1.5306	2.6860
1/900	1.2021	1.3883	1.2581	1.6039	1.3096	1.8268	1.3574	2.0563	1.4017	2.2917	1.4430	2.5324
1/1,000	1.1404	1.3170	1.1935	1.5216	1.2424	1.7331	1.2877	1.9508	1.3298	2.1741	1.3690	2.4024



呼び名 H×B	1,200×1,600		1,200×1,700		1,200×1,800		1,200×1,900		1,200×2,000	
流水断面積 (㎡)	1.8749		1.9949		2.1149		2.2349		2.3549	
潤辺P (m)	3.8193		3.9193		4.0193		4.1193		4.2193	
径深R (m)	0.4909		0.5090		0.5262		0.5425		0.5581	
$R^{2/3}$	0.6223		0.6375		0.6518		0.6652		0.6779	
勾配 $V \cdot Q$	V	Q	V	Q	V	Q	V	Q	V	Q
1/100	4.4449	8.3338	4.5535	9.0837	4.6555	9.8458	4.7515	10.6190	4.8420	11.4024
1/200	3.1431	5.8929	3.2198	6.4232	3.2919	6.9620	3.3598	7.5088	3.4238	8.0627
1/300	2.5663	4.8115	2.6290	5.2445	2.6878	5.6845	2.7433	6.1309	2.7955	6.5832
1/400	2.2225	4.1669	2.2768	4.5419	2.3277	4.9229	2.3757	5.3095	2.4210	5.7012
1/500	1.9878	3.7270	2.0364	4.0624	2.0820	4.4032	2.1249	4.7490	2.1654	5.0993
1/600	1.8146	3.4023	1.8590	3.7084	1.9006	4.0195	1.9398	4.3352	1.9767	4.6550
1/700	1.6800	3.1499	1.7211	3.4333	1.7596	3.7214	1.7959	4.0136	1.8301	4.3097
1/800	1.5715	2.9464	1.6099	3.2116	1.6460	3.4810	1.6799	3.7544	1.7119	4.0314
1/900	1.4816	2.7779	1.5178	3.0279	1.5518	3.2819	1.5838	3.5397	1.6140	3.8008
1/1,000	1.4056	2.6354	1.4399	2.8725	1.4722	3.1135	1.5025	3.3580	1.5312	3.6058